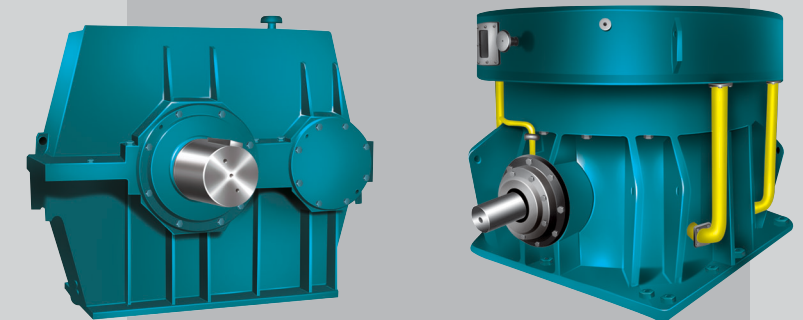
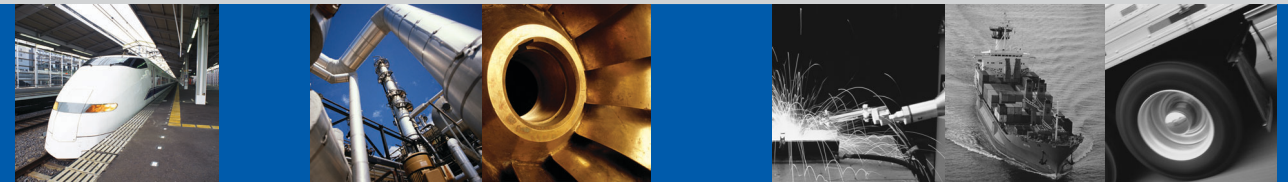


T A I L O N G

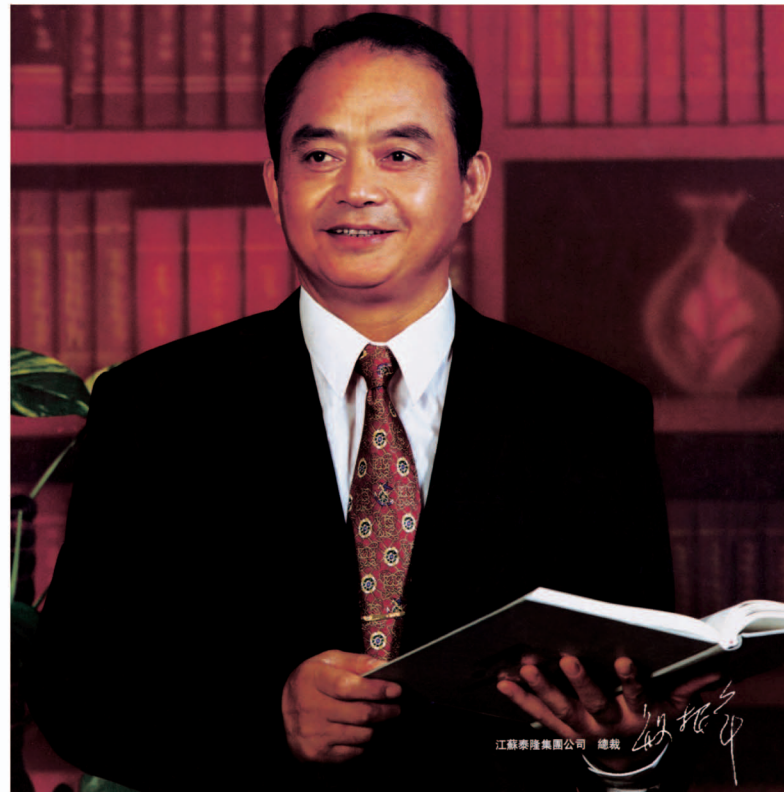


地址(ADD): 江苏省泰兴市大庆东路88号
 NO.88, Daqing Rd.(E) Taixing City, Jiangsu province
 电话(TEL): 0086-523-87635698 87668018 87668028
 传真(FAX): 0086-523-87665426 87665000
 邮编(P.C): 225400
 网址 [Http://www.tailong.com](http://www.tailong.com) 电子信箱E-mail: tlgrp.tx@public.tz.js.cn



磨机减速器

江苏泰隆机械集团
 JIANGSU TAILONG MACHINERY GROUP COMPANY
江苏泰隆减速机股份有限公司
 JIANGSU TAILONG DECELERATOR MACHINERY CO.,LTD.



公司简介

泰隆集团地处扬子江畔的泰兴市区，是泰兴人引以为豪的国家大型企业。集团在全国优秀企业家、江苏省劳动模范董事长殷根章的领导下，经过20多年的悉心经营，昂首迈进了中国机械工业500强，成为全国减速行业龙头老大。

集团现拥有总资产5.8亿元，固定资产3.6亿元，占地面积60万平方米，员工近2612人，专业工程技术人员896人，年销售额15亿元。从美国、德国、日本、俄罗斯等国家引进的大型数控磨齿机、蜗杆磨床、加工中心、碳氮共渗炉等一批高精尖的生产设备和检测设备占48%。建立了全国同行业中检测功能最全、检测功率最大、仪器最先进的测试中心，创建了省级工程技术中心。公司产品在原有的平面二次包络蜗杆减速器、9000系列摆线针轮减速机、圆柱齿轮减速器、行星齿轮减速器等十几个系列，几十万种规格的基础上，采用先进的模块化、点线等技术开发出了TL模块化齿轮减速电机；TPB行星模块化减速器、重载模块化减速器、点线啮合减速器。多年来，起重机电硬齿面、中硬齿面减速器一直在为用户提供最佳的传动方案，在风力发电、水力发电领域捷足先登，做出了不菲的业绩。重载齿轮箱在建材行业、冶金行业成功得到了应用，开发出了建材行业的立式磨齿及边缘传动磨齿齿轮箱，冶金行业的开卷、卷取齿轮箱、三环减速器、星轮减速器。另外公司还为用户提供榨糖机齿轮箱、螺杆升降机、电动滚筒及各类非标齿轮箱。公司荣获“中国名牌”，“全国首批守合同重信用企业”，“全国重点高新技术企业”，“全国机械工业质量效益型先进企业”，“全国机械工业质量管理奖”，“全国用户满意服务”等殊荣，泰隆商标被评为“中国驰名商标”，在同行业中率先通过质量、环境、安全三位一体认证及ISO10012计量体系确认。

泰隆人将遵循自己一贯的质量承诺、服务承诺和信誉承诺，把顾客满意当作我们的最高追求！

Company Brief

Tailong Group is located in Taixing urban area at the border of Yangtse River and it is a state-owned large-sized enterprise boasted by Taixing people. Under the leadership of Mr. Yin genzhang, a nationwide excellent entrepreneur and a model worker of Jiangsu Province, after more than twenty years of operation with concentrated efforts, has proudly marched into the Top 500 enterprises in Chinese Mechanical Industry and has become the industry leader.

At present, the group owns a total assets of RMB 580m, and fixed of RMB 360m, and it covers an area of 600,000 square meters and owns almost 2,612 employees, including 896 technicians, the annual turnover surpasses 1b RMB. The introduced large-sized numerical controlled gear grinding machine, worm grinder, machining center and carbonitriding kiln and etc. advanced, precise and leading manufacturing facilities and inspection apparatus from USA, Germany, Japan and Russia has taken part 48% share in all. At the same time, the group has established a test center with the most complete test functions, the biggest test power, the most advanced instrument and the provincial science & technology park. At the basis of the primary secondary envelope, 9000 series cycloid pinwheel reducer, cylindrical gear, planetary reducer and so on, more than ten series, and several ten thousands specifications, adopting the advanced modularization, point-line technique, ultimately develop TL modular reducer, TPB planetary modular reducer, heavy load modular and point-line meshing decelerator. Along many years, harden-faced reducer for crane, moderate rigid reducer provide the best transmission project for customer all the times; On the other hand, at the wind and water power area, we have taken the swift-footed arrive first, and taken out outstanding success. The heavy load gearboxes has successfully applied in architecture, metallurgy industry, and developed vertical grinder, marginal transmission grinder gearbox which fit for architecture industry, open, convolute gearbox, three-ring, star reducer which special for metallurgy. In addition, the company also supply sugar mill gearbox, worm lifter, electrical roller and various non-standard gearboxes.

The company has been awarded successively with such honorable titles as "China top brand", "National first batch of enterprise honoring contracts and keeping promises", "National key new & hi-tech enterprise", "National mechanical industry quality & benefit type enterprise", "National mechanical industry QC award" and "National customer satisfaction service". Tailong brand is recognized as "the Chinese famous brand" by national industrial and commercial bureau. It has taken the lead in passing the quality, environment and security three in one system certification and ISO10012 metering system certification.

Tailong people will keep to its persistent quality guarantee, service guarantee and credit, satisfying customer as our topmost pursuit.

目录 catalogue

- 一、TMBY (X) 系列边缘传动磨齿减速机
TMBY(X) series edge mill drive reducer
- 二、TMLX系列立式磨齿减速机
TMLX series vertical mill reducer
- 三、TMFY (X) 系列中心传动磨齿减速机
TMFY(X) transmission line center mill reducer

TMBY(X)系列边缘传动磨机减速器

TMBY(X) series edge mill drive reducer

一、性能与特点 The characteristics and performance

TMBY(X)系列减速器采用了现代齿轮设计制造技术，吸收了国内外同类产品的优点，总结了国内设计制造同类产品的经验，根据水泥等行业使用工况恶劣、低速重载、安全可靠、使用寿命长等特点，专门精心设计用于水泥磨、煤磨等用途的边缘传动减速器。

MBY系列减速器采用单级减速、带专用油站、齿轮全部为硬齿面，精度达6级(GB/T10095-2001)以上，高可靠度设计，设计寿命为持久寿命，与国内外同类产品相比，具有体积小、重量轻、外形简洁大方、操作简单、维修方便、安全可靠、使用寿命长等特点。

TMBY(X) series edge mill drive reducers adopt modern design and manufacturing technology and the domestic design and manufacture experiences. We design the edge mill drive reducer for cement milling according to the bad working situation, low speed and high load, long lifetime and high security.

MBY series reducers adopt single-level transmission with a special oil station. The gear are hardened and the level is more than 6(GB/T10095-2001) with high-reliability design and designed lasting lifetime. Compared to the similar products at home and abroad, the MBY series reducers have the characteristics of small size, light weight, generous shape, simple operation and maintenance, high security and long lifetime and so on.

二、适用范围 The scope of application

主要用于水泥磨、煤磨等边缘传动减速器。

齿轮圆周速度不大于20m/s，允许正反转。

减速器工作环境温度为-40℃~+40℃。低于0℃时，启动前应预热润滑油，高于40℃时应加冷却措施。由于体积小、安装简单方便，适用于老厂的技术改造和设备的更新换代。

The edge drive reducer is for cement mill, coal mill and so on.

Gear circumference speed is not greater than the rate of 20m / s. Allow operation of the pros and cons.

Working environment temperature of reducer is -40℃~+40℃. You should pre-warm lubricants before startup when the temperature is under 0℃. You should use cooling measures when the temperature is higher than 40℃. The reducers are good for the change of equipments and techniques because of its small size and easy installation.

三、减速器标记 Remark of deceleraters

TMBY(X) 800 - 5 - III - R

输出轴旋向 Rotate direction of outputshaft { R-顺时针CW Clockwise
L-逆时针CCW counter Clockwise
面对输出轴看 Face to the output shaft
第三种装配形式 The third assembly form
公称传动比i=5(特殊定货填实际传动比)
nominal ratio i=5(fill in the exactratio when buy deceleration)
中心距a=800 Centers distance
边缘传动磨机减速器 { TMBY
Edge mill drive reducer TMBX

四、减速器外形尺寸及装配形式 Outer dimension and assembly forms of gearbox

减速器的外形尺寸及装配形式参照图1及表1与表2

Outer dirmension and assembly forms of gearbox as according to the fig 1 and table 1,2

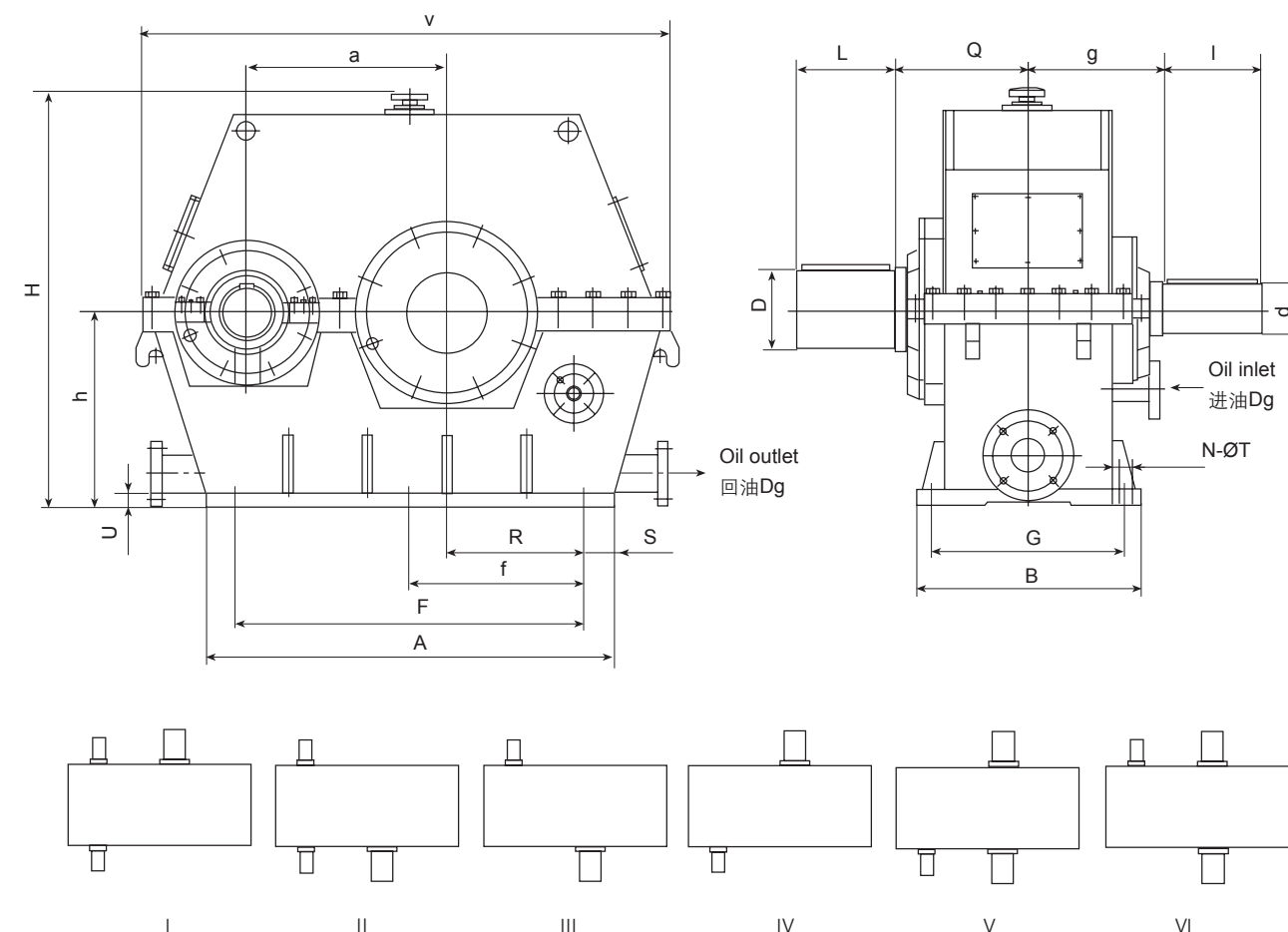


图1 fig1

减速机与稀油站的安装，如图2，图3

Connecting gear reducer with lubrication station

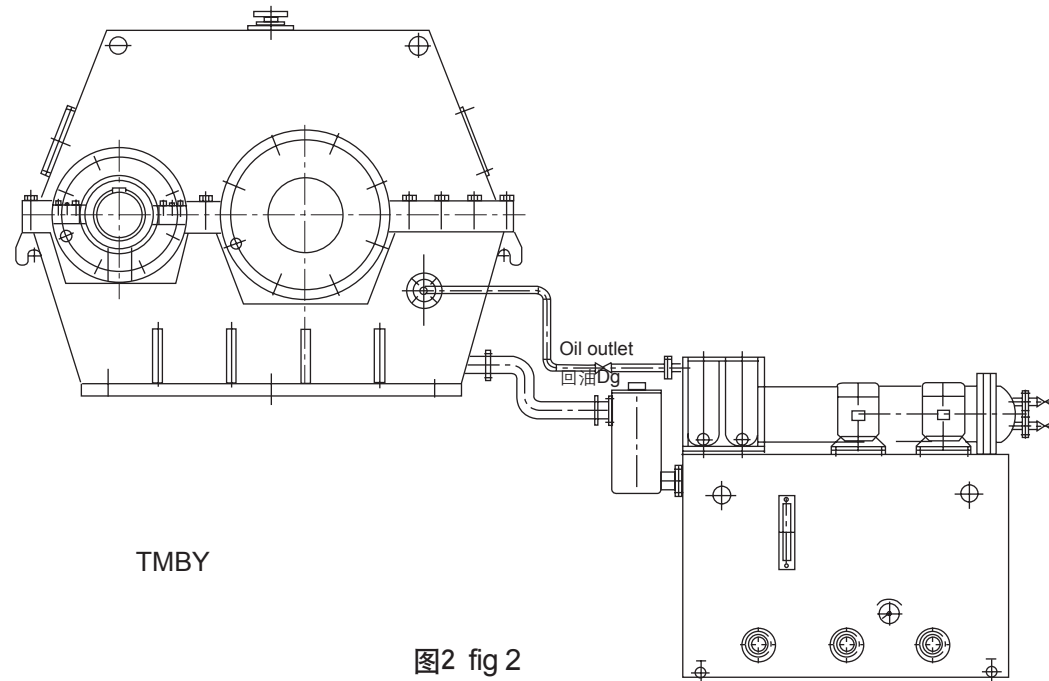


图2 fig 2

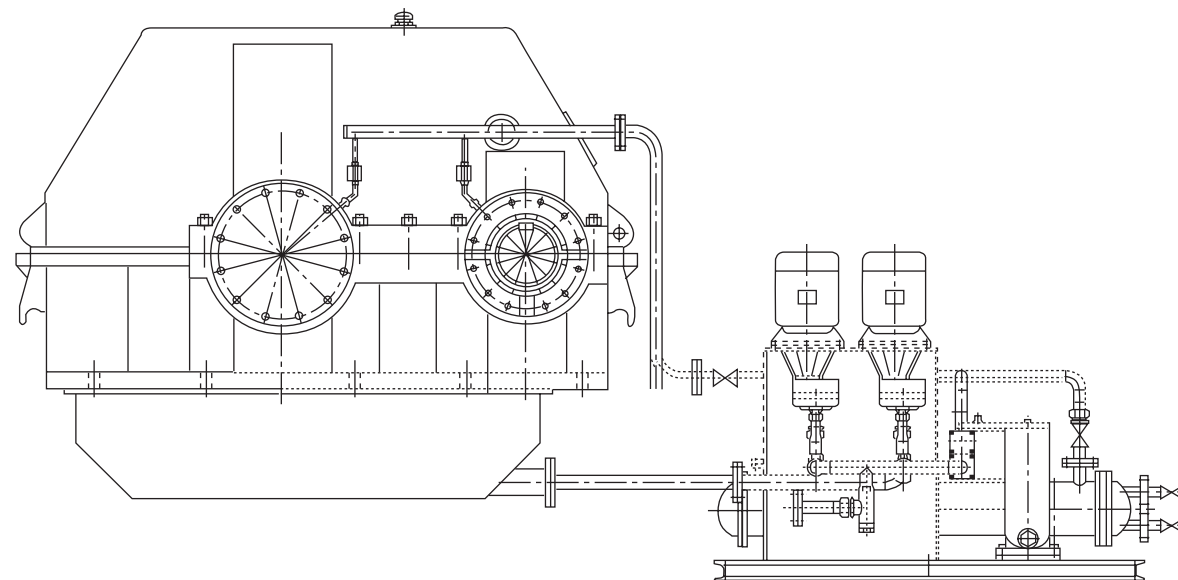


图3 fig 3

TMBYX

可根据用户要求配标准油站，也可按厂标配简易油站。

Standard oil station and simple oil station, which is to manufacture's plant norm, are available as optional parts.

TMBY减速机外形图及尺寸表

Outline and dimension table of TMBY gear reducer

尺寸表1 Dimension table 1

mm

型号Type	a	V	H	h	U	A	F	f	R	S	N	T	B	G	油站型号 Model of lubrication station	平均重量(Kg) average weight
TMBY400	400	1060	850	400	30	820	700	350	275	60	6	27	450	390	XYZ25	1255
TMBY450	450	1208	950	450	30	900	780	390	305	60	6	27	510	450	XYZ25	1855
TMBY500	500	1325	1050	500	40	1055	840	420	330	90	6	33	550	480	XYZ40	2034
TMBY560	560	1470	1170	560	40	1100	940	470	370	70	6	33	590	520	XYZ40	2610
TMBY630	630	1670	1310	630	40	1320	1060	530	420	130	6	39	640	570	XYZ63	3269
TMBY710	710	1900	1470	710	50	1430	1190	595	470	60	6	39	690	620	XYZ63	4256
TMBY800	800	2065	1650	800	60	1480	1280	640	500	100	6	45	760	680	XYZ63	5460
TMBY900	900	2280	1800	900	60	1650	1450	725	575	100	6	45	820	730	XYZ63	6450
TMBY1000	1000	2600	2050	1000	60	1950	1620	F/3	630	100	8	45	880	790	XYZ125	8500
TMBY1100	1100	2570	2250	1100	70	1980	1780	F/3	695	100	8	45	950	860	XYZ125	10500

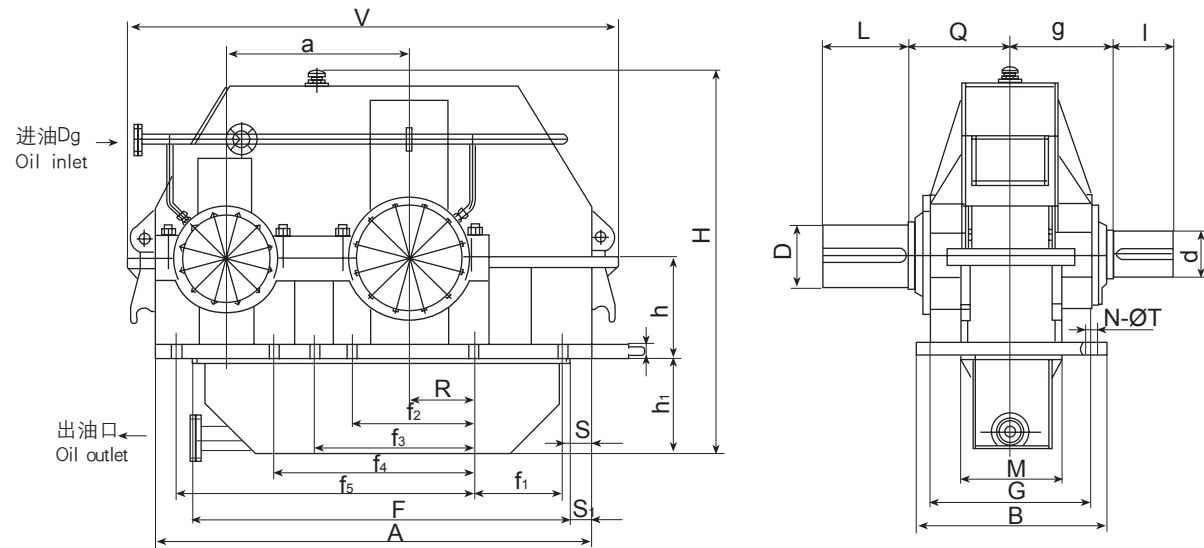
型号Type	输入轴 Input shaft												输出轴 Output shaft		
	U=4			U=4.5-5			U=5.6-6.3			U=7.1			Q	D	L
	g	d	l	g	d	l	g	d	l	g	d	l			
TMBY400	270	120	200	270	100	200	270	90	180	270	80	140	270	160	200
TMBY450	300	120	220	300	120	200	300	100	180	300	90	160	300	180	220
TMBY500	320	140	240	320	140	200	320	110	180	320	100	160	320	180	240
TMBY560	340	160	250	340	160	200	340	120	200	340	110	180	340	200	260
TMBY630	370	180	250	370	160	230	370	130	200	370	120	180	370	220	300
TMBY710	390	200	280	390	160	250	390	150	220	390	140	200	390	260	340
TMBY800	425	220	300	425	180	260	425	180	240	425	160	200	425	300	380
TMBY900	455	240	340	455	200	260	455	180	260	455	180	220	455	300	400
TMBY1000	485	260	380	485	240	280	485	200	280	485	200	250	485	320	420
TMBY1100	520	280	400	520	260	300	520	220	300	520	220	280	520	360	440

输入轴轴径和输出轴轴径配合尺寸公差为：m6键的尺寸根据轴径按GB1095确定。

Fitting tolerance of input and output journals:m6 the dimensions of key will be determined by ioural on standard GB1095.

TMBYX减速机外形图及尺寸表

Outline and dimension table of TMBYX gear reducer



尺寸表2 Dimension table 2

型号Type	输入轴 Input shaft						输出轴 Output shaft		
	U=4.5-5.6			U=6.3-7.1			Q	D	L
	g	d	l	g	d	l			
TMBYX800	450	200	260	450	190	260	450	280	385
TMBYX900	465	220	280	465	200	280	465	300	400
TMBYX1000	480	240	280	480	220	280	480	320	420

型号Type	a	V	H	h	h1	U	A	f1	f2	f3	f4	f5
TMBYX800	800	2145	1920	450	310	60	1905	390		700		1300
TMBYX900	900	2350	2060	500	420	70	2110	445		765		1440
TMBYX1000	1000	2545	2380	560	450	70	2305	460	610		1060	1540

型号Type	R	S	N	T	B	G	M	油站型号 model of iubrication station	平均重量 (Kg)
TMBYX800	280	125	8	45	840	700	440	XYZ63	5390
TMBYX900	300	135	8	45	870	730	470	XYZ63	6970
TMBYX1000	310	195	10	45	900	760	500	XYZ125	8190

输入轴轴径和输出轴轴径配合尺寸公差为: m6键的尺寸根据轴径按GB1095确定。

Fitting tolerance of input and output journals:m6 the dimensions of key will be determined by ioural on standard GB1095.

五、减速机承载能力 Load capacity of gearbox

减速机承载能力符合表3的规定 The load capacity of gearbox meets the standard of table 3

表3 table 3

名义速比 nominal ratio	输入转速 Input rotate speed	减速机型号 gearbox type									
		MBY 400	MBY 450	MBY 500	MBY 560	MBY 630	MBY 710	MBY 800	MBY 900	MBY 1000	MBY 1100
4	1000	496	688	892	1235	1710	2380	3160	4455	5890	7600
	740	368	510	656	915	1270	1764	2340	3300	4365	5630
	600	300	410	530	740	1030	1430	1890	2670	3500	4560
4.5	1000	418	580	741	1036	1445	2011	2670	3766	4960	6430
	740	310	430	549	768	1070	1490	1980	2790	3676	4765
5	1000	357	510	634	886	1240	1710	2280	3226	4250	5485
	740	265	380	470	657	918	1270	1690	2392	3150	4063
	600	215	308	380	530	740	1030	1370	1930	2550	3290
5.6	1000	300	418	534	745	1040	1445	1917	2700	3585	4540
	740	223	310	396	552	770	1070	1420	2000	2656	3363
6.3	1000	248	350	440	620	864	1200	1590	2250	2956	3816
	740	184	260	327	460	640	890	1180	1670	2190	2827
	600	150	210	265	370	520	720	950	1350	1770	2280
7.1	1000	200	290	367	513	702	990	1360	1860	2400	3140
	740	150	215	272	380	520	734	1010	1380	1800	2325
	600	120	175	220	307	420	590	800	1100	1460	1880

六、减速器的选用 The choice of reducer

1、选型说明

减速器的选用根据所需的功率、输入转速、速比直接选出减速器的型号即可(无需考虑使用系数)。定货时除了注明减速器的型号、所需功率、输入转速、减速比外, 还需注明减速器的装配形式代号以及油站是否随机配套等。

如有其它特殊要求或用于其它行业及用途, 请在合同中注明。

2、选型示例

某水泥厂选用边缘传动减速器，电机功率1000kw,输入转速为1000r/min，减速比为6.3。

解：查表3，当TMBY在 $n_1:1000r/min, i=6.3$ 时，使用功率为 $1200kw > 1000kw$,故减速器型号为TMBY710-6.3.

某电厂选用磨煤机（管磨）减速机，电机功率380kw,电机转速740r/min,减速比5。

解：查表3，当TMBY450在 $n_1=740r/min, i=5$ 时，使用功率 $P=380kW$ ，故减速机型号为TMBY450.

1. Selection Help

Selection basis: power, input speed and ratio no consideration of use coefficient). You should indicate the type, power, input speed, ratio with the assembly form code and oil station's match situation when you place an order. If you have other requirements, please indicate it in the contract.

2. Selection sample

A cement plant wants to select the edge transmission reducer. The electric power is 1000kw, input speed is 1000r/min and ratio is 6.3.

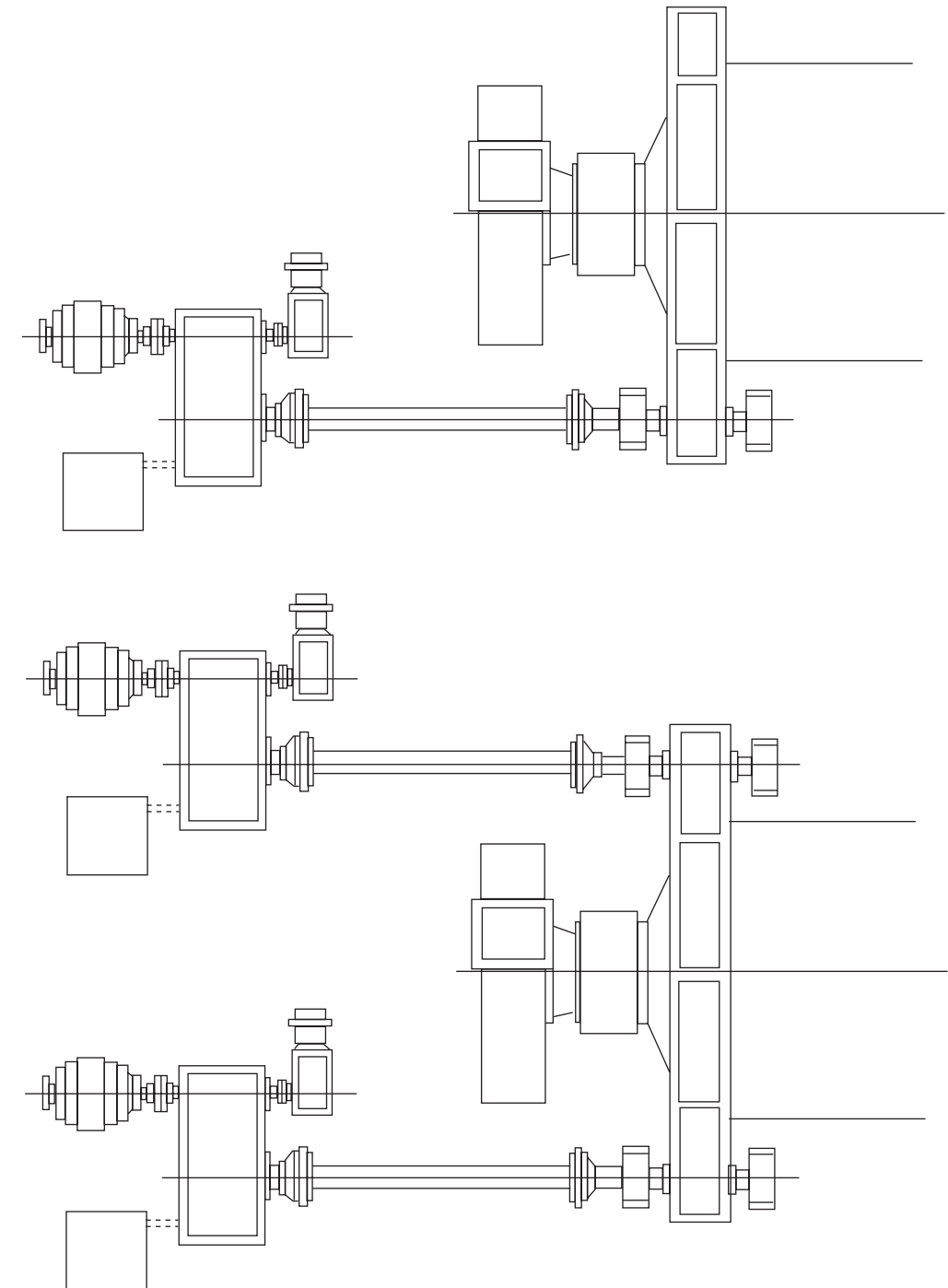
Solution: Look at table 3, When TMBY in $n_1: 1000r/min, i = 6.3$, the use power is $1200kw > 1000kw$, so the reducer type is TMBY710-6.3.

A coal power plant wants to select the coal grind tube mill) reducer. The electric power is 380kw, motor speed is 740r/min and ratio is 5.

Solution: check table 3, when TMBY450 in $n_1 = 740r/min, i = 5$, the use power $P = 380kw$, so the reducer type is TMBY450.

TMBY(X)系列边缘传动磨机减速机在磨机系统中的安装位置

Mounting position of series TMBY(X) gear reducer in side drive mill system



TMLX系列立式磨减速机

TMLX series vertical mill reducer

一、 执行的标准系列 The executive standard series

- ◆产品参考ISO/TR13593:1999工业闭式齿轮传动装置
- ◆齿轮精度标准采用GB/T10095-2001(等同于ISO1328-1995).
- ◆齿轮传动强度计算按照GB3480-1997(等效于ISO6336-1~3:1996)渐开线直齿轮和斜齿轮承载能力计算方法。
- ◆齿轮材料与热处理的质量等级按照ISO6336-1996第五部分材料的强度和质量，最高级别ME控制。
- ◆总体技术性能标准水平高于建材行业标准JC/T878.4-2001.

- ◆Reference product standard is ISO/TR13593: 1999 Industrial closed-gear transmission
- ◆Gear precision standard is GB/T10095-2001(equal to ISO1328-1995).
- ◆Gear strength calculation standard is GB3480-1997(equal to ISO6336-1 ~ 3:1996) carrying capacity calculation method of involute gear and helical gear.
- ◆Gear materials and heat treatment standard is ISO6336-1996 Part V: the strength and quality of materials, the highest level is of control ME.
- ◆Overall technical performance standard is higher than the level of building materials industry-standard JC/T878.4-2001.

二、 技术特点 Technical characteristics

- ◆本系列立式磨机减速机广泛用于建材、电力、冶金等行业。
- ◆结构：采用伞齿轮-行星齿轮传动，减速机与磨机融为一体，输出法兰直接与磨盘相联传递扭矩，同时承受来自磨辊的压力。
- ◆所有齿轮均采用优质合金钢制造，并采用渗碳淬火与磨齿工艺，太阳轮及行星轮采用专有技术进行修形，并对齿根进行喷丸强化处理。
- ◆全部齿轮在坯料阶段及精加工后均进行探伤，对箱体及行星架主要焊缝均进行超声波探伤；利用先进的焊接设备及焊接工艺，确保行星架与箱体的高强度、高刚性。
- ◆齿轮、轴、箱体等主要零件采用均衡设计技术。粉煤压力通过刚度分布均匀的圆形减速机直接传递到基础。减速机箱体采用圆形对称设计，且加强了刚度，加工精度极高。

- ◆当减速机型号大于TMLX100时，行星架输出轴及输出法兰采用鼓形齿挠性联接，以降低工作载荷变化对齿轮副带来的冲击。
- ◆采用非接触式机械密封，不渗油，无须更换密封件。
- ◆采用动静压，静压润滑系统，使润滑及油膜更加安全可靠。
- ◆所有滚动轴承疲劳寿命均大于80,000小时；精心设计的滑动轴承和可靠的供油系统，保证了运行的高可靠性。
- ◆本系列减速机具有体积小，重量轻，效率高、噪音低、运行平稳和寿命长等特点。
- ◆本系列减速机主要技术指标均达到国际同类产品先进水平。

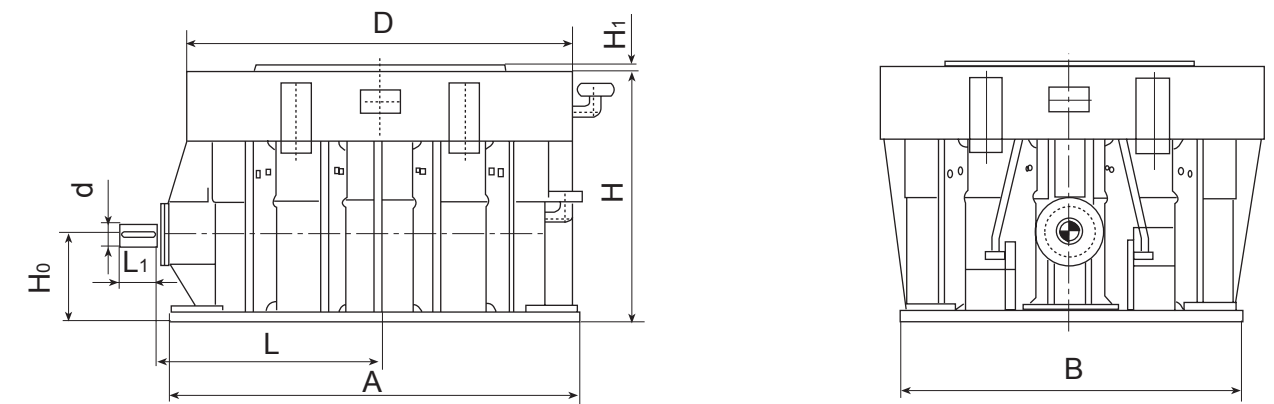
- ◆The vertical mill reducer are widely used in building materials, electric power and metallurgical industry.
- ◆Structure: bevel gear-planetary gear drive, reducer and mill are the whole structure, torque transfer of output flange associated with the millstones directly, while under pressure from the roller.
- ◆All the gears are made of high-quality steel, and adopt carburizing quenching and grinding process. The sun gears and planet gears are dealt with proprietary technology and root is for strengthening of shot blasting.
- ◆We will inspect all the gears in the raw stage and after machining, and we will carry out the ultrasonic inspection on the welding of the case and the planetary carrier. We can ensure the high strength and high rigidity of the planetary carrier and case.
- ◆The main parts of the gear, shaft and the case adopt balanced design. Coal pulverized pressure is directly delivered to the foundation by the even distributed column reducers. Reducer box is designed of circular symmetry, enhanced stiffness and high accuracy machining.
- ◆When reducer type> TMLX100, planet carrier, output shaft and output flange adopt drum gear flexibility join in order to reduce the impact on the gear wheel because of the change of working load.
- ◆We use non-contact type mechanical seal with no permeability. There is no need to replace the seals.
- ◆We use hybrid and static pressure lubrication system for the security of lubricating oil and oil film.
- ◆The fatigue life of all rolling bearing is more than 80,000 hours; the well-designed rolling bearings and reliable oil supply system ensure the reliability of the operation.
- ◆The series reducers are of small size, light weight, high efficiency, low noise, smooth operation and long life and so on.
- ◆The series reducer's major technical guideline has reached the international advanced level of similar products.

三、技术性能参数 technique parameters

表一 table 1

型号Type	P/n2 kW/rpm	输入转速 rpm Input rotate speed	垂直静载荷 kN Vertical static load	润滑方式 Lub form	重量 t Weight
TMLX5	1.8	990	420	动静压润滑系统	2.8
TMLX10	2.9	990	500		3.5
TMLX15	4.2	990	620		5.0
TMLX20	5.75	990	780		5.6
TMLX25	7.85	990	1100		8.2
TMLX30	9.95	990	1370		11.0
TMLX40	12.05	990	1500		11.8
TMLX50	15.72	990	1600		14.5
TMLX60	18.51	990	1750		17.8
TMLX70	21.50	990	1820		20.5
TMLX80	25.15	990	1950		23.5
TMLX90	29.35	990	2400		26.0
TMLX100	34.55	990	2700		32.0
TMLX110	43.95	990	2900		35.0
TMLX130	53.95	990	3400		40.0
TMLX150	58.12	990	4400		46.0
TMLX170	65.45	990	4700		50.0
TMLX200	76.95	990	5100	55.0	
TMLX225	86.40	990	5500	58.0	
TMLX250	96.75	990	5800	61.0	
TMLX280	108.3	990	6100	70.0	
TMLX300	115.7	990	6800	75.0	
TMLX330	129.5	990	7500	84.0	
TMLX365	145.05	990	8200	92.0	
TMLX400	162.4	990	8900	98.0	
TMLX450	181.88	990	9600	103.0	
TMLX500	203.66	990	10600	115.0	

四、外形及安装尺寸 Shape and assembly dimensions



表二 table 2

型号Type	A mm	B mm	d mm	L1 mm	D mm	H1 mm	H0 mm	H mm	L mm
TMLX5	920	920	65n6	120	980	16	260	900	660
TMLX10	1000	1000	65n6	120	1140	16	280	940	710
TMLX15	1100	1100	75n6	120	1300	25	300	1020	800
TMLX20	1160	1180	75n6	140	1325	31	320	1047	810
TMLX25	1400	1400	85n6	160	1400	25	350	1250	830
TMLX30	1600	1620	100n6	180	1700	35	420	1470	1080
TMLX40	1600	1620	100n6	180	1700	35	420	1500	1080
TMLX50	1800	1800	110n6	210	1760	35	450	1585	1260
TMLX60	2160	2160	110n6	210	2090	20	500	1650	1300
TMLX70	2160	2160	120n6	210	2200	30	500	1800	1300
TMLX80	2200	2200	130n6	240	2200	30	550	1900	1380
TMLX90	2700	2280	130n6	240	2200	40	550	1900	1410
TMLX100	2700	2280	150n6	250	2400	30	600	1962	1500
TMLX110	2700	2280	150n6	250	2400	25	600	2000	1600
TMLX130	2700	2600	150n6	250	2500	35	600	2045	1600
TMLX150	2900	2600	160n6	270	2500	25	650	2080	1650
TMLX170	3000	2600	160n6	270	2850	35	650	2170	1650
TMLX200	3000	2600	160n6	270	2950	40	700	2240	1700
TMLX225	3100	3000	180n6	280	3050	40	730	2380	1850
TMLX250	3100	3000	180n6	280	3150	40	780	2500	1950
TMLX280	3600	3100	200n6	310	3300	40	830	2640	2050
TMLX300	3600	3120	200n6	310	3450	40	850	2800	2150
TMLX330	3600	3120	220n6	350	3450	40	850	2900	2200
TMLX365	3700	3200	220n6	350	3600	40	900	3050	2300
TMLX400	3500	3500	240n6	380	3700	40	950	3150	2420
TMLX450	3600	3600	240n6	380	3750	40	1000	3350	2550
TMLX500	3900	3900	250n6	400	3850	40	1100	3450	2700

注: 1. 由于立式磨机的结构型式不同, 对减速器的外形安装尺寸也有不同要求, 我们可以根据用户要求进行设计调整。
2. TMLX250至TMLX500须采用全静压系统。
Notes: 1. We can adjust the design according to the users standard of different dimensions of gearbox of different structures of vertical mill.
2. From TMLX250 to TMLX500 are required to adopt the whole static pressure system.

五、选型示例 Example of choice type

示例1 eg1

电机功率Motor power P1=1250 kw
 输入转速Input rotate speed n1=1000 rpm
 输出转速Output rotate speed n2=31.5 rpm
 工况系数Working factor KA=2.5

选型如下: $P/n2=1250/31.5=39.68$, TMLX110的许用 $P/n2=43.95Kw/rpm$, 所以选择TMLX110.

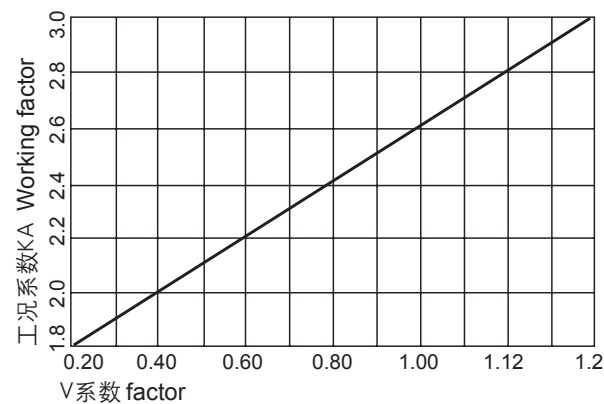
The selection is as follows: $P/n2=1250/31.5=39.68$ with allowable $P/n2=43.95Kw/rpm$ of TMLX110, so we choose TMLX110

示例2 eg1

电机功率Motor power P1=1250 kw
 输入转速Input rotate speed n1=1000 rpm
 输出转速Output rotate speed n2=31.5 rpm
 工况系数Working factor KA=2.1

选型如下: 查右图, 对应的 $\psi=0.86$, 则 $\psi \times P/n2=0.86 \times 1250/31.5=34.12$, 而TMLX100许用的 $P/n2=34.55kW/rpm$, 所以选择TMLX100.

The selection is as follows: please look at the picture when $\psi=0.86$, $\psi \times P/n2=0.86 \times 1250/31.5=34.12$, while allowable $P/n2=34.55kW/rpm$ of TMLX100, so we choose TMLX100.



TMFY(X)系列中心传动磨机减速机

TMFY (X) transmission line center mill reducer

一、TMFY (X) 系列中心传动磨机减速机简介

TMFY (X) transmission line center mill reducer Profile

TMFY (X) 系列中心传动磨机减速机在结构上采用功率双分流, 两级减速, 同心传动。

TMFY (X) 系列中心传动磨机减速机在结构上采用三级减速, 第一级采用行星齿轮传动, 第二, 三级采用MFY系列磨机减速机结构型式。

TMFY (X) 系列中心传动磨机减速机由主减速机和慢速驱动系统; 膜片联轴及油站系统; 多路温度巡显变送器辅助系统构成。主减速机属平行轴渐开线圆柱齿轮传动装置。采用功率分流和调整轮子载荷的同步传动轮系布置; 结构紧凑, 尺寸重量轻。主要辅助系统慢速驱动减速机传动装置, 尺寸小、重量轻、标准化程度高, 可满足前驱动和后驱动等多种布置要求。

减速机所有传动齿轮均采用高级合金渗碳钢制造。齿面渗碳淬火、磨齿, 具有很高的齿轮精度和负荷容量。采用膜片联轴器有效解决磨机与主机之间的不同轴度误差, 并具有良好的缓冲、隔振性能。

TMFY (X) 系列磨机减速机具有体积小、重量轻、传递能力大, 使用寿命长等特点, 安装维护方便, 操作简单容易、传动平稳。可广泛用于建材行业的原料磨、水泥磨和冶金、矿山等行业。同时也可用于榨糖行业等。

TMFY (X) transmission line center mill reducer use dual-streaming structure, two-stage slowdown, common center drive.

TMFY (X) transmission line center mill reducer use three-stage slowdown structure. The first stage uses the planetary gear transmission. The second and third stage use MFY series reducer mill structure.

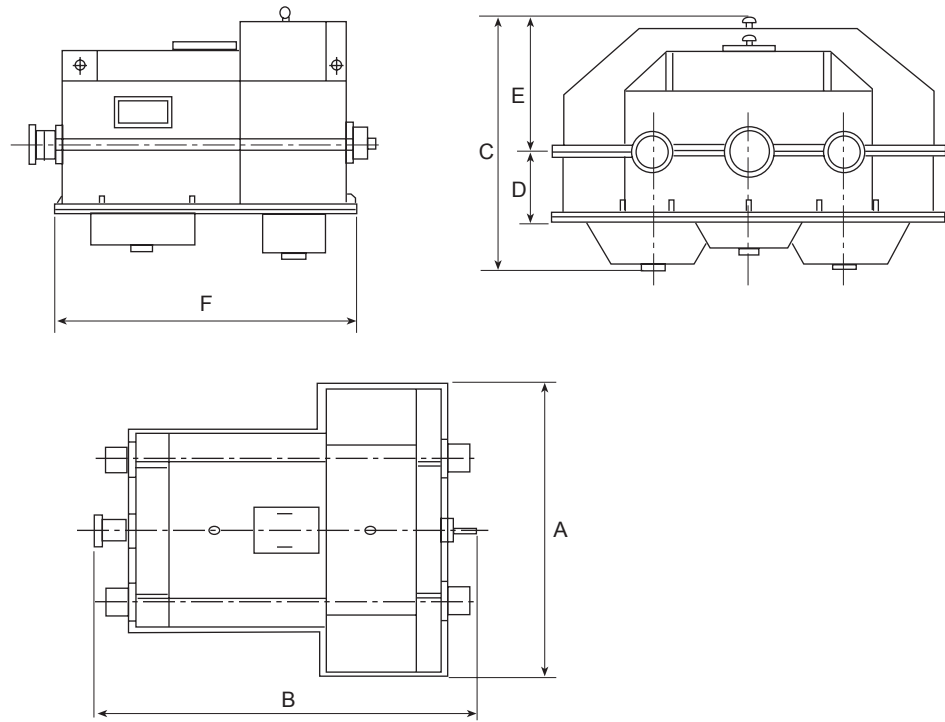
TMFY (X) transmission line center mill reducer contain main reducer, the slow drive system, film coupling and oil station system and multi-round temperature transformer. Main reducer is the structure of parallel shaft involute column gear transmission. It use power diversion and adjustment of synchronous transmission line layout of the wheel round load. It has collect structure and light weight. The slowdown drive set of main assistant system compact has small size, light weight and high standardization. So it can meet the requirements of various layout of forward drive and backward drive.

All the reducers' gears are made by high-alloy steel with carburizing. The carburized, hardened and grinded gear teeth are of high precision and high load capacity. We use the film coupling which can solute the problem of different axis tolerances between the grinding machine and the main machine. And it also has the capacity of good cushioning and vibration isolation.

TMFY (X) series grinding reducers have characteristics of small bulk, light weight, high transmission ability, long lifetime, simple maintenance and operation and steady transmission. They can be widely used in materials grinding, cement grinding, metallurgy and mine in building materials industry. They can also be used for the sugar industry.

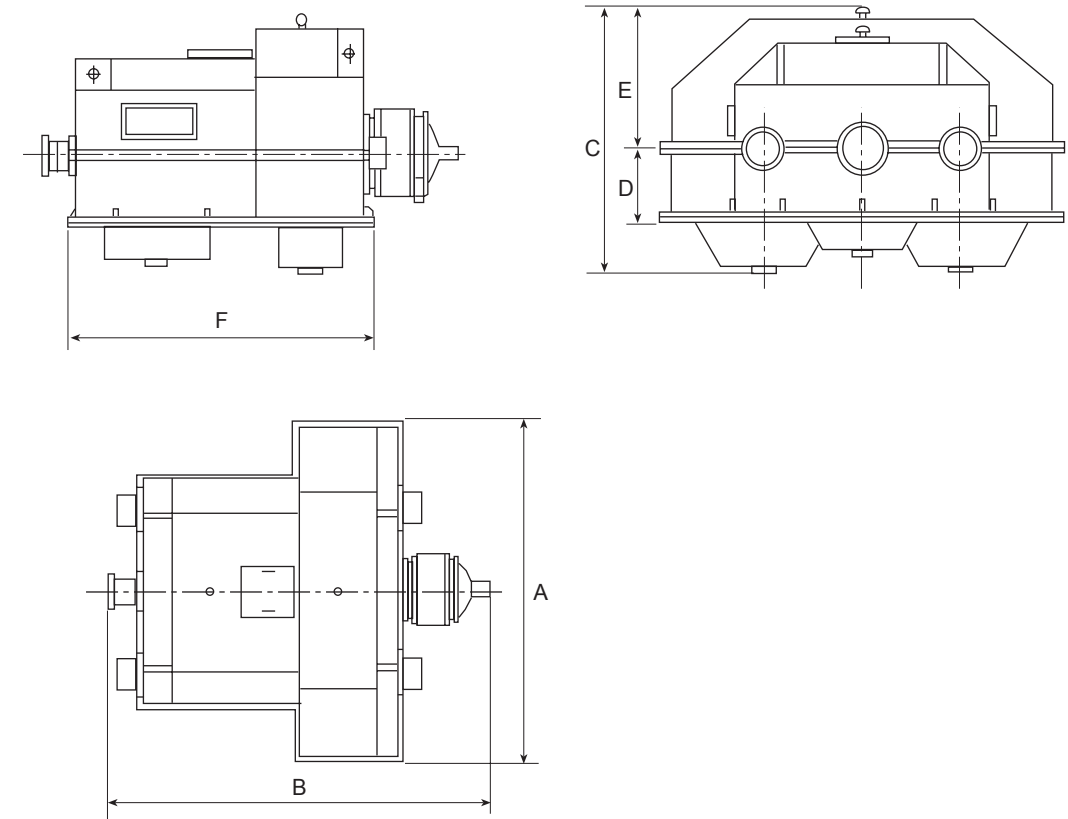
三、TMFY系列技术性能及外形尺寸

TMFY series technical performance and figure dimension



TMFY系列中心传动磨机减速机（二级）TMFY transmission line center mill reducer(2 stage)

序号 No.	型号Type	传动功率 Transmission power(kW)	输入转速 Input speed r/min	输出转速 Output speed r/min	尺寸 Dimension(mm)						质量 Weight (T)	备注 Remark							
					A	B	C	D	E	F									
1	TMFY80	800	740	20.6 19.8 19.3	3800	2385	1950	600	1000	1800	28.5								
2	TMFY100	1000		19.5 17.6	4200	2455	2150		1075	1870	30.5								
3	TMFY125	1250		18.85 16.9 18 17.6	4500	2690	2300		1170	2015	36.5								
4	TMFY140	1400		18.3 17 16.5	5000	2675	2400		1200	2075	41								
5	TMFY160	1600	17.1 16.8 16.5	650				2150				47							
6	TMFY180	1800	16.5										650	2150	49				
7	TMFY200	2000	16.3 15.6	650	2150	47													
8	TMFY225	2250	16				5400	2800	2500	1300	2350	51							
9	TMFY250	2500	740	16.5 16.4 15.75 15 16.26	3000	2550	650	1450	*	55									
10	TMFY280	2800		15 15.78 16.5							5700	2800	650	1450	*	55			
11	TMFY300	3000		600	15	6130	2925	3000	650	1560	2185	61							
12	TMFY320	3200			15								6130	2925	3000	650	1560	2185	61
13	TMFY355	3550	600	15.8 16	6220	3270	3200	650	1670	2560	67								
	TMFY380	3800		15 15.6								6220	3270	3200	650	1670	2560	67	
14	TMFY400	4000	740	15 14.5	6700	3760	3400	710	1780	2970	80								
15	TMFY420	4200		15 14.5								6700	3760	3400	710	1780	2970	80	
16	TMFY450	4500		14.5								6900	4000	3600	710	1800	3400	87	
17	TMFY500	5000	740	14.5	7100	4000	3700	710	1800	3400	93								

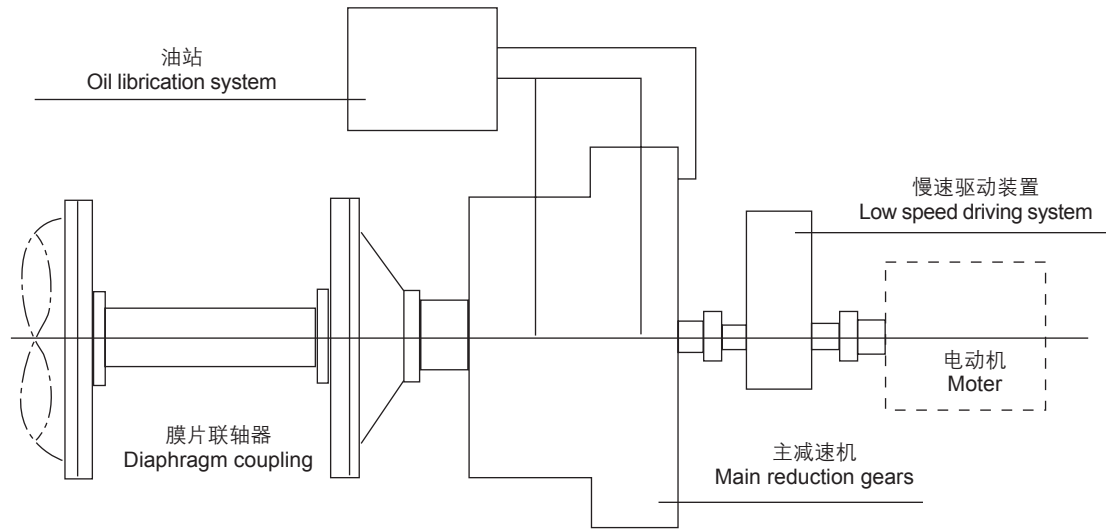


TMFYX系列中心传动磨机减速机（三级）TMFYX transmission line center mill reducer(3 stage)

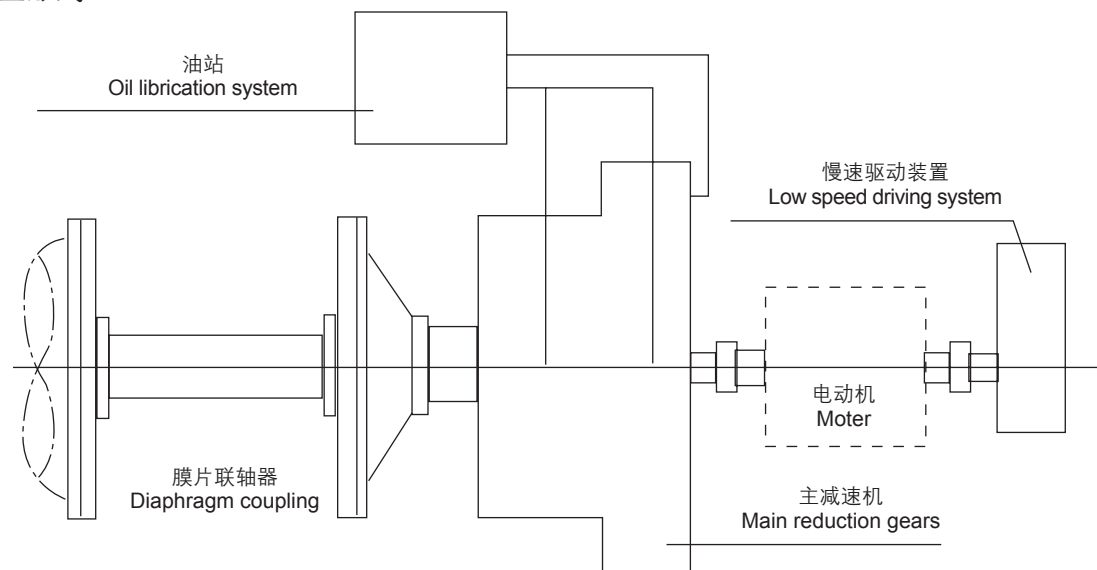
序号 No.	型号Type	传动功率 Transmission power(kW)	输入转速 Input speed r/min	输出转速 Output speed r/min	尺寸 Dimension(mm)						质量 Weight (T)	备注 Remark							
					A	B	C	D	E	F									
1	TMFYX160	1600	1000 740	17.1 16.8 16.5	4750	3475	2300	650	1170	2150	37								
2	TMFYX180	1800		16.5								4750	3475	2300	650	1170	2150	39	
3	TMFYX200	2000		16.6 16.3 15.6	5000	3650	2300	650	1170	2150	41								
4	TMFYX225	2250		16 16.6 17								5000	3650	2300	650	1170	2150	43	
5	TMFYX250	2500		16.5 16.4 15.75 15 16.25								5000	3650	2300	650	1170	2150	45	
6	TMFYX280	2800		1000	15.1 16.3 16.6	5300	4170	2500	710	1250	2570	48							
7	TMFYX320	3200		740	15.1 15.8 16.3								5300	4170	2500	710	1250	2570	52
8	TMFYX380	3800		740	14.5 15.1 15.6	5600	4750	2600	800	1350	2750	52							
9	TMFYX420	4200		14.5 15.1 15.6	5600								4750	2600	800	1350	2750	60	
10	TMFYX450	4500		14.5 15.1 15.6	5600								4750	2600	800	1350	2750	60	
11	TMFYX500	5000		740	14.5 15.1 15.6	5900	5360	2800	800	1500	3000	72							

四、TMFY(X)系统布置形式

第一种布置形式:



第二种布置形式:



四、订货选型说明 Selection requirements

- 本厂可根据用户不同要求按类别进行供货
- 订货内容中: 主减速机中含输入联轴器, 慢速减速机中含慢速电动机, 稀油站中含电控柜, 仪表柜, 此外还包括地脚螺栓、垫铁、各种管系、专用工具、备件等等。

- 稀油站一般安放在车间地平面上, 无须地脚螺栓。还可根据用户要求安装在车间的其他位置。
- 电控部分根据用户要求, 有多种方案可选择。
- 表中的“输出转速”为已实际使用过的磨机转速, 若变化大, 须与我厂联系。
- 设备安装尺寸以订货时的基础安装图为准。
- 本厂可根据用户要求进行专门设计制造, 特殊订货。
- We will supply the goods according to users' requirements.
- In the order: input coupling is contained in the main reducer, low speed electromotor is contained in the low speed reducer, electrical panel, instrument panel and grinding cabinet are contained in the lean oil station.
- There are bolts, mat, a variety of pipes, special tools and spare parts, etc.
- The lean oil station is placed on the ground in the workshop without foundation bolts. It also can be placed on other places of the workshop.
- There are many blue prints to choose according to the requirements of the electrical control part.
- "Output speed" in the table is the exact rotate speed of the grinding machine. If the change is great, you should contact with us.
- Equipment's installation dimension will be accordance with the foundation installation drawing.
- We can design and manufacture the special reducers according to the customer's requirements.

