



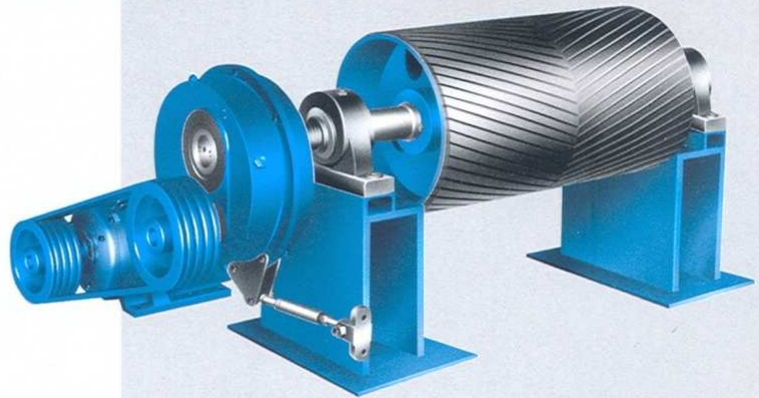
中国名牌产品 CHINA TOP BRAND



中国驰名商标 CHINA WELL-KNOWN TRADEMARK



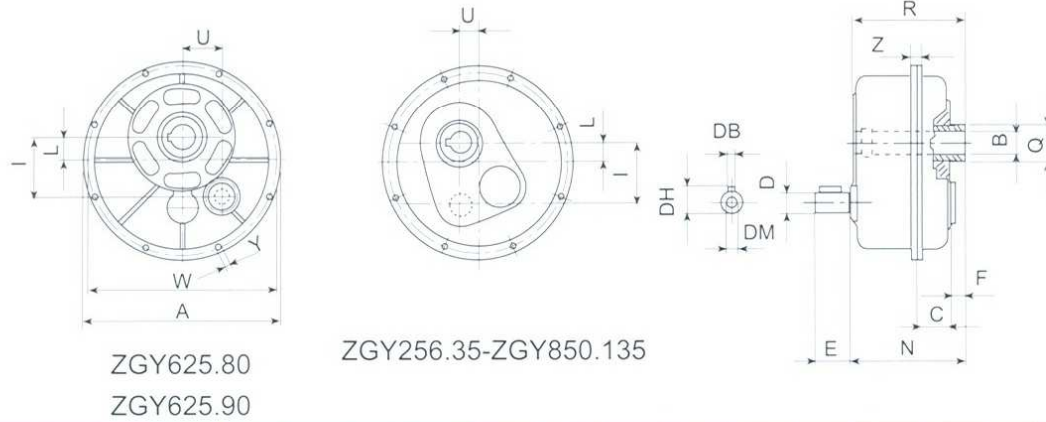
国家大型企业 NATIONAL LARGE ENTERPRISE



带式输送机驱动装置

江苏泰隆机械集团
JIANGSU TAILONG MACHINERY GROUP COMPANY
江苏泰隆减速机股份有限公司
JIANGSU TAILONG DECELERATOR MACHINERY CO.,LTD.

五、外形安装尺寸 Contour dimension

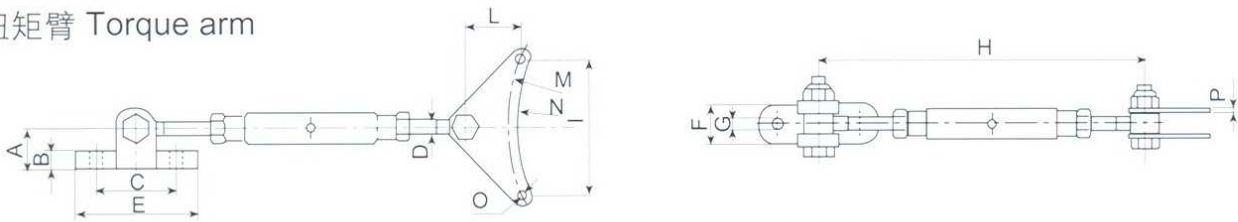


ZGY625.80
ZGY625.90

ZGY256.35-ZGY850.135

机型号 Type	A	B _{G7}	C	D _{h6}	DB	DH	DM	E	F	I	L	N	Q	R	U	W	Y	Z	kg
ZGY256.35	256	35	44	19	6	21.5	M6	40	12	83	23	126	50	124	21	240	8.5	20.5	18
ZGY322.40	322	40	57	24	8	27	M8	50	11	112	30	150	60	144	22	302	8.5	20.5	28
ZGY322.45	322	45	57	24	8	27	M8	50	11	112	30	150	60	144	22	302	8.5	20.5	28
ZGY364.45	364	45	62	28	8	31	M10	60	15	123	34	164	75	162	33	344	9	20.5	38
ZGY364.50	364	50	62	28	8	31	M10	60	15	123	34	164	75	162	33	344	9	20.5	38
ZGY364.55	364	55	62	28	8	31	M10	60	15	123	34	164	75	162	33	344	9	20.5	37
ZGY434.50	434	50	66	38	10	42	M12	80	15	143	40	190	85	182	46	410	11	24.5	58
ZGY434.55	434	55	66	38	10	42	M12	80	15	143	40	190	85	182	46	410	11	24.5	58
ZGY434.60	434	60	66	38	10	42	M12	80	15	143	40	190	85	182	46	410	11	24.5	58
ZGY498.60	498	60	73	38	10	42	M12	80	15	174	47	205	100	199	48	468	13	28.5	97
ZGY498.70	498	70	73	38	10	42	M12	80	15	174	47	205	100	199	48	468	13	28.5	97
ZGY550.70	550	70	84	42	12	45	M12	110	18	188	52	228	120	223	53	520	13	28.5	121
ZGY550.85	550	85	84	42	12	45	M12	110	18	188	52	228	120	223	53	520	13	28.5	120
ZGY625.80	625	80	115	48	14	51.5	M10	110	22	185	73	257	130	252	126	600	12.5	30	215
ZGY625.90	625	90	115	48	14	51.5	M10	110	22	185	73	257	130	252	126	600	12.5	30	215
ZGY710.100	710	100	108	48	14	51.5	M16	110	30	255	70	293.5	160	288.5	60	675	17	40.5	320
ZGY710.125	710	125	108	48	14	51.5	M16	110	30	255	70	293.5	160	288.5	60	675	17	40.5	320
ZGY850.125	850	125	110	55	16	59	M16	110	34	294	80	310	170	304	70	805	17	44.5	410
ZGY850.135	850	135	110	55	16	59	M16	110	34	294	80	310	170	304	70	805	17	44.5	415

扭矩臂 Torque arm



机型号 Type	A	B	C	D	E	F	G	H _{min}	H _{max}	I	L	M	N	O	P
ZGY256.35	25	10	50	M10	75	25	8.5	200	300	92	45	120	111	8.5	4
ZGY322.40	35	16	70	M12	105	35	10.5	210	310	115.5	51	151	143	8.5	4
ZGY322.45															
ZGY364.45															
ZGY364.50	35	16	70	M12	105	35	10.5	210	310	132	57	172	164	10.5	5
ZGY364.55															
ZGY434.50															
ZGY434.55	40	18	75	M14	115	40	12.5	240	360	157	70	205	195	10.5	5
ZGY434.60															
ZGY498.60															
ZGY498.70	40	18	75	M14	115	40	12.5	240	360	179	84	234	221	12.5	5
ZGY550.70															
ZGY550.85	45	20	85	M16	135	50	14.5	260	410	199	100	260	247	12.5	6
ZGY625.80															
ZGY625.90	45	20	85	M16	135	50	14.5	260	410	229.6	105	300	287	13	6
ZGY710.100															
ZGY710.125	65	30	150	M20	220	70	25	340	560	258.5	115	337	324	17	10
ZGY850.125															
ZGY850.135	65	30	150	M20	220	70	25	340	560	306	135	402.5	382	17	10

六、使用及维护 Using and maintenance

1. 开机前必须将减速机加入 L-CKC150 或 L-CKC220 中负荷极压工业齿轮油，注油至减速机示油器中间位置。
2. 减速机初次运行，300 小时后，需要更换润滑油，注意必须将机内杂物冲净后，方可加入新油。
3. 减速机空心轴端与传动滚筒轴端必须用端盖压板及防松螺丝紧固。
4. 减速机皮带轮与电机皮带轮安装时必须保证平行。皮带的松紧度要适中。

1. Before start up it is necessary inject L-CKC150 or L-CKC220 medium load gearoil to the middle position of indicator.
2. The reducer should replace lubrication oil after 300hrs, when the first operation, and take notice that clean the indoor box, then add the fresh oil.
3. The end of hollow shaft and roller must be fastened by plate and blocking screw.
4. It should keep parallel when bink the pulleys of reducer and motor, the belt is not suitable too tight or over-loose.

二、ZGY 悬挂式齿轮减速机 ZGY hanging gearbox

一、产品简介 Brief

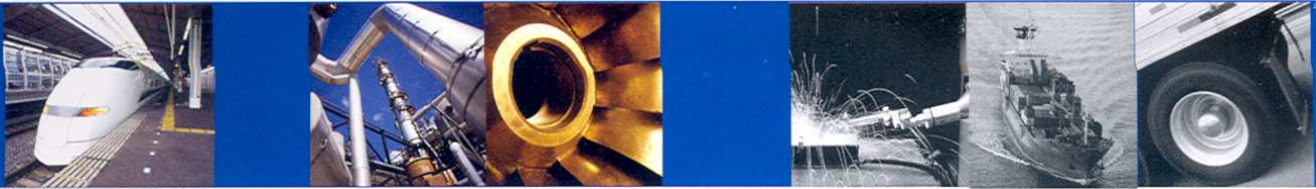
ZGY 悬挂式齿轮减速机是我厂最新开发的一种硬齿面减速机，齿轮采用高强度低碳合金钢，经过渗碳淬火磨齿，齿轮精度高，具有体积小、重量轻、承载能力大、效率高、结构简单、安装维护方便等特点，并可配置防倒转装置，减速机输入轴与电机采用皮带轮联结，输出采用空心轴单键联结，可直接悬挂在主机轴上，可代替电动滚筒作为带式输送机和提升机的动力源，及其它需要悬挂安装的通用机械上，广泛用于农业、商业、邮电业、食品工业、烟草工业、汽车工业、水泥工业、采矿业、旅游业等。



ZGY hanging gearbox is the latest developed carbide reducer, which gear are made of high quality alloy steel and treated with carburising and quenching, grinding the precision of gear is high; It has small size, light weight, large load capacity, simple instruction, convenient main tenance and so on, also can fitted arrestor. the input shaft links to motor by pulley, and the output links adopt hollow shaft with single key, it can be hanged on the shaft main-machine directly, can replace electric roller as the power of belt unkeyer and lifting, and other necessary hanging assembled mechanism. It is widely applied in agriculture, wmmmerical, post and telecom, foodstuff, tobacco, automobile, cement, ming, touring and so on.

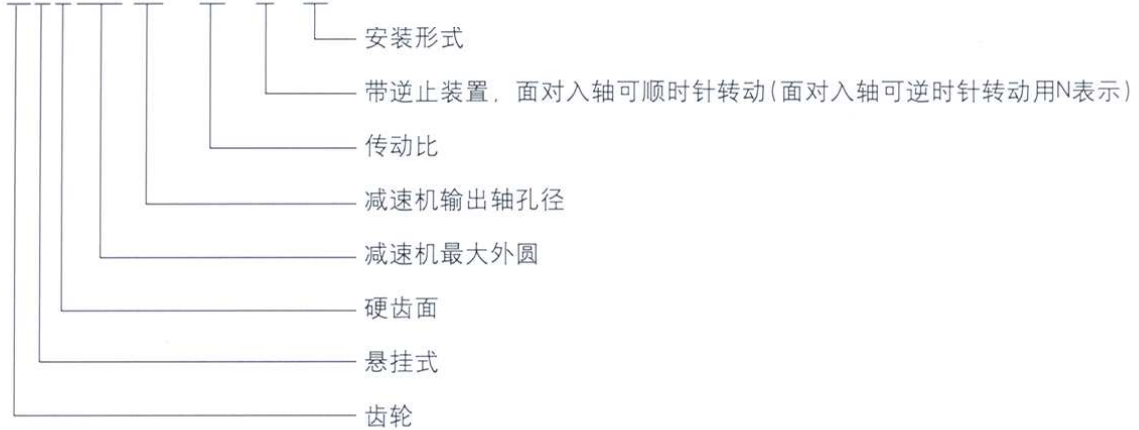
二、安装型式 Assembly type

ZGY625.80		ZGY625.90		
其它型号产品 Other type				
A	B	C	D	



三、型号表示方法

ZGY625.80 - 15 - S - A



四、承载能力参数表 Load capacity table

输入转速 Input speed: 1400(r/min)

型号Type	传动比Ratio	功率(kW)Power	输出转速 (rpm) Output speed
ZGY256.35	10	4.6	140
	15	3.6	93
	19.5	3	72
	25	2.5	56
ZGY322.40	10	9.3	140
	13.3	8.1	105
	15	7.7	93
	19.7	6.1	71
ZGY322.45	25	4.9	56
	10	15.4	140
	12.2	13.9	115
	15	12.4	93
ZGY364.45	19.7	9.8	71
	25	8	56
	10	27	140
	12	23	117
ZGY434.50	15	19.6	93
	20.3	14.8	69
	25	12.4	56
	10	48	140
ZGY498.60	12.2	39	115
	15	33	93
	20.3	25	69
	25	20	56
ZGY498.70	10	59	140
	12.2	51	112
	15	45	93
	20.2	34	69
ZGY550.70	25	28	56
	15	65	95
	10	139	140
	12.3	113	114
ZGY710.100	15	98	93
	20.3	72	69
	25	61	56
	10	193	140
ZGY850.125	12.3	157	114
	15	144	93
	20.3	106	69
	25	93	56

注：该承载能力参数表中所列功率为输入轴转速为 1400 转 / 分时的数值，若需低于此输入转速的功率值，用户可按恒转矩计算出不同输入转速的输入功率。

Note: the power showed in load capacity table is data when the input speed is 1400rpm. If the input speed is less than 1400rpm, the customer can calculate input power in according to permanent torque.

计算公式

Calculation formula:

$$M = \frac{9550 \times N \times I}{n}$$

M—转矩 Torque(N.m) P—功率 Power(kW)

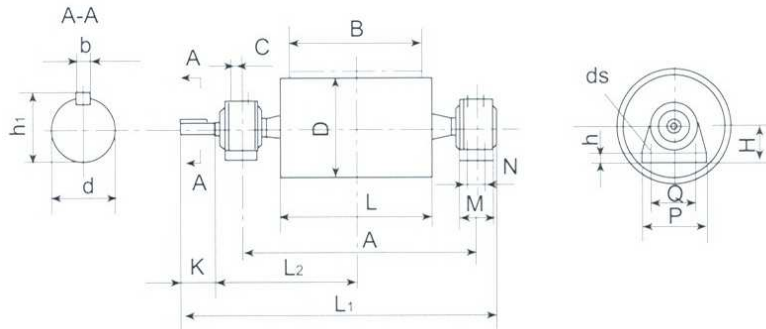
I—传动比 Ratio n—输入转速 Input speed(r/min)



表中参数仅作参考，当减速机输入轴和电机皮带轮有速比变化时，请根据承载能力参数表结合实际使用工况重新确定减速机型号。

The table is just for reference,once there is ratio,deviation between input shaft of reducer and pulley of motor,please reselect reducer's type,according to load capacity table and practice serving situation.

五、与 ZGY 减速机配套滚筒部分尺寸表 Dimension of fitted part to ZGY reducer



B	D	A	L	L ₂	M	N	Q	P	H	h	L ₁	K	h	d	b	ds	许用扭矩(N.m) Allowable torque(N.m)		
																	光面滚筒	胶面滚筒	
500	500	850	600	505.5	70	-	280	340	100	33						∅27	1600	2450	
650	500	1000	750	588.5	90	-	350	410	120	33						∅27	2000	3200	
	630																		
800	500	1300	950	738.5	90	-	350	410	120	33						∅27	2500	3900	
	630			771	130	80	380	460	140	33							5400	8300	
	800			871	130	80	380	460	140	33							4450	6870	
1000	800	1500	1150	900	160	90	440	530	160	53						∅34	6820	10450	
	1000			930	170	100	480	570	180	53							-	17400	
1200	630	1750	1400	1025	160	90	440	530	160	53						∅34	5380	8200	
	800																	8200	12550
	1000			1055	170	100	480	570	180	53								-	20850
	1250			1065	180	110	540	630	200	63								-	29400
	800			1150	160	90	440	530	160	53								9560	14620
1400	1000	2000	1600	1190	180	110	540	630	200	63						∅34	-	24400	
	1250																	-	34300
	1400			1200	200	120	590	680	220	63								∅40	-

注：①滚筒为钢板焊接结构，分光面和胶面两种，胶面又分平面胶、人字胶和菱形胶三种。

②许用扭矩：光面按 $\mu = 0.2, \alpha = 180^\circ$ ；胶面按 $\mu = 0.4, \alpha = 180^\circ$ 考虑。

③ ZGY 悬挂式齿轮减速机外型安装尺寸见该产品样本。

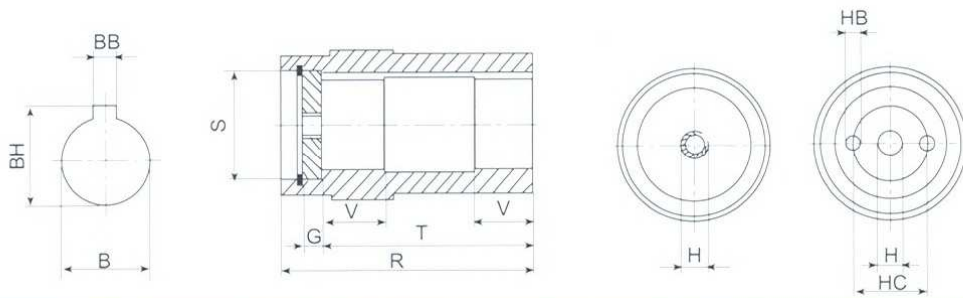
Note: ① roller is armor plate joining, specified bright and rubber face, the face is classified in flat glue, type glue and rhombic glue.

② Allowable torque: bright face $\mu = 0.2, \alpha = 180^\circ$; rubber face $\mu = 0.4, \alpha = 180^\circ$

③ ZGY hanging gearbox's contour and dimensions are given in catalog



输出轴尺寸表
Output shaft dimension



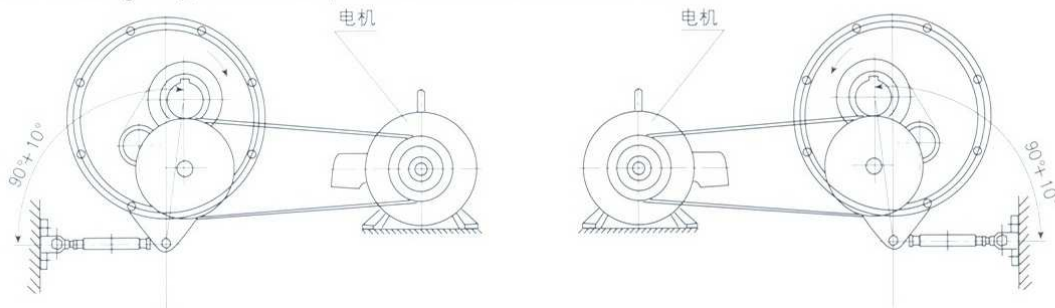
机型号Type	B _{G7}	BB	BH	G	H	HB	HC	R	S	T	V
ZGY256.35	35	10	38.3	10	M10	-	-	124	42	106	30
ZGY322.40	40	12	43.3	12	M12	-	-	144	50	124	30
ZGY322.45	45	14	47.3	12	M12	-	-	144	50	124	30
ZGY364.45	45	14	48.8	14	M16	-	-	162	60	140	35
ZGY364.50	50	14	53.8	14	M16	-	-	162	60	140	35
ZGY364.55	55	16	59.3	14	M16	-	-	162	65	140	35
ZGY434.50	50	14	53.8	14	M16	-	-	182	60	160	40
ZGY434.55	55	16	59.3	14	M16	-	-	182	65	160	40
ZGY434.60	60	18	64.4	14	17	M12	42	182	70	160	40
ZGY498.60	60	18	64.4	14	17	M12	42	199	70	175	45
ZGY498.70	70	20	74.9	16	22	M16	50	199	85	175	45
ZGY550.70	70	20	74.9	16	22	M16	50	223	85	193	50
ZGY550.85	85	22	90.4	18	22	M16	65	223	100	193	50
ZGY625.80	80	22	85.4	18	22	M16	60	252	95	213	60
ZGY625.90	90	25	95.4	18	22	M16	70	252	105	213	60
ZGY710.100	100	28	106.4	20	26	M20	80	288.5	120	256.5	60
ZGY710.125	125	32	132.4	20	26	M20	100	288.5	145	256.5	60
ZGY850.125	125	32	132.4	20	26	M20	100	304	145	267	65
ZGY850.135	135	36	141.4	20	32	M24	100	304	150	267	65

六、安装使用及润滑 Assembling using and lubricating

(一) 安装使用

1. 高速轴与其它零件配合，不允许直接锤击，可用轴端螺孔，旋入螺钉压入联接件。
2. 减速器安装后，用手转动，必须灵活，无卡死现象。
3. 在没有负荷条件下，运转2小时，如发现声音不均匀，发热过度及漏油现象等，应立即消除。
4. 安装扭矩臂时应尽量使扭矩臂与其固定点和输出轴连线垂直，偏差应为 $\pm 10^\circ$ （见图示位置），并使扭矩臂处于拉伸应力状态。

1. when the high-speed shaft fit to other parts, it is not allowed to hammer, it should fasten the screw to press the linkage in.
2. After assembling the reducer, pull the roller by hand, to check the rotation whether nimble and whether there is hinders phenomenon.
3. operate 2hrs without any load, if there is abnormal noise, over-heated and oil leaking, should eliminate at once.
4. when install the torque arm, should make the torque arm upright to the line of fixed pot and output shaft, the deviation is $\pm 10^\circ$ (see the diagram), and she torque arm should be in tensile stress.



(二) 润滑 Lubricating

本减速器建议用L-CKC150或L-CKC220中负荷极压工业齿轮油。当使用逆止器时，减速器中不应使用含石墨或二硫化钼之类的润滑添加剂。第一次加油后，运转300小时便应更换新油。以后连续工作，每半年或每运行2500小时换油一次。

Advise to select L-CKC150 or L-CKC220 medium load limit pressure industry gear oil. When adopt arrestor, it is not allowed to use lubrication additive which contain graphite and disulphide. Replace fresh oil after operating 300hrs, when first using. When regularly trade oil each half year or 2500hrs under continuous running.

T A I L O N G



中国驰名商标
CHINA WELL-KNOWN
TRADEMARK

地址(ADD): 江苏省泰兴市大庆东路88号

NO.88,Daqing Rd.(E) Taixing City,jiangsu province

电话(TEL):0086-523-87635698 87668018 87668028

传真(FAX):0086-523-87665426 87665000

邮编(P.C):225400

网址 [Http://www.tailong.com](http://www.tailong.com) 电子信箱E-mail:tlgrp.tx@public.tz.js.cn

本厂拥有对本说明书的解释权，若有疑问请与本厂技术部门联系。一般每年一版，选用时请以最新版本为准。
The manufacturer has the right to interpret this instruction book, and any questions may refer to our technical department.
This instruction book is updated every year, so the latest edition should be identified for reference.

2008版